

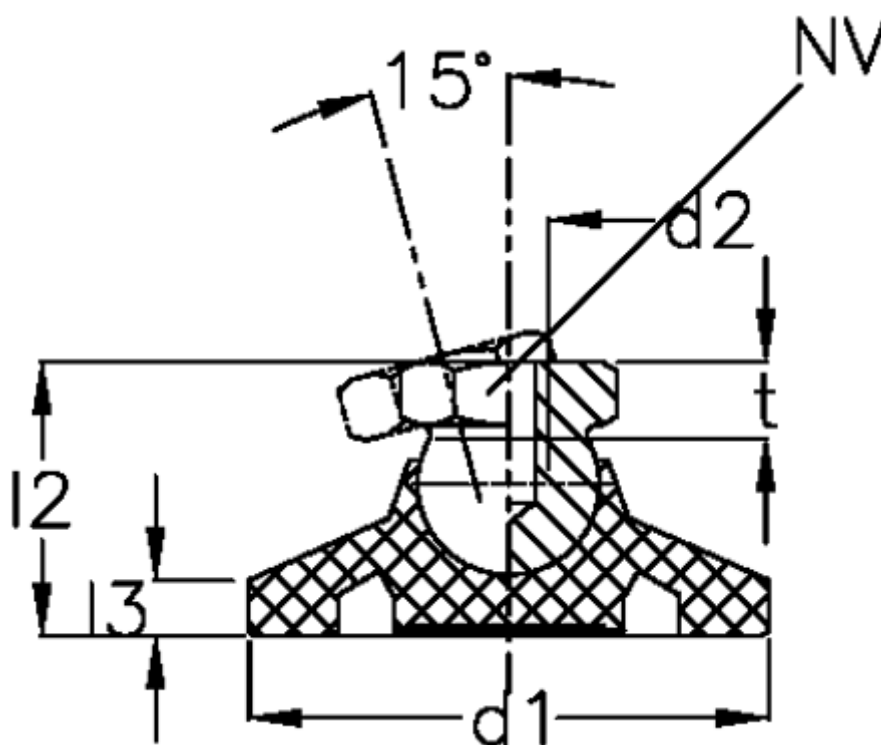
# Data Sheet



Article number: 20957468

Description: E+G Levelling foot  
GN 343.3-50-M12-A

## Measures



$d_1$	= 50
$d_2$	= M12
$l_2$	= 27.5
$l_3$	= 7.0
$NV$	= 17.0
Static load (N)	= 10000
$t$ min	= 11.5